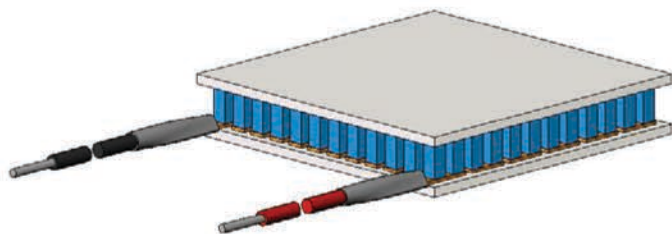
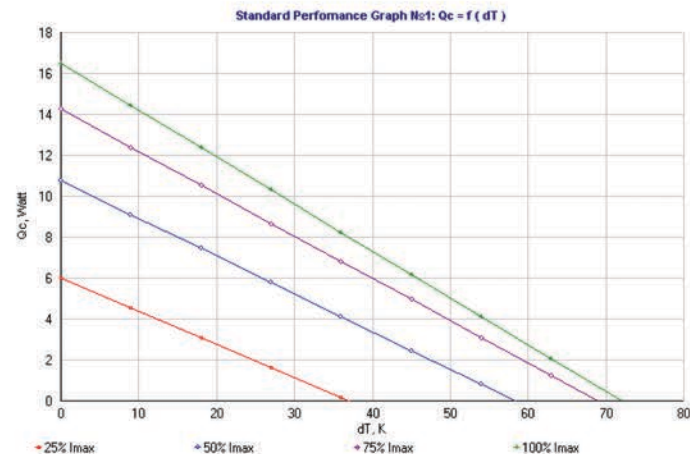


SPECIFICATION OF THERMOELECTRIC MODULE TB-71-1.4-3.175

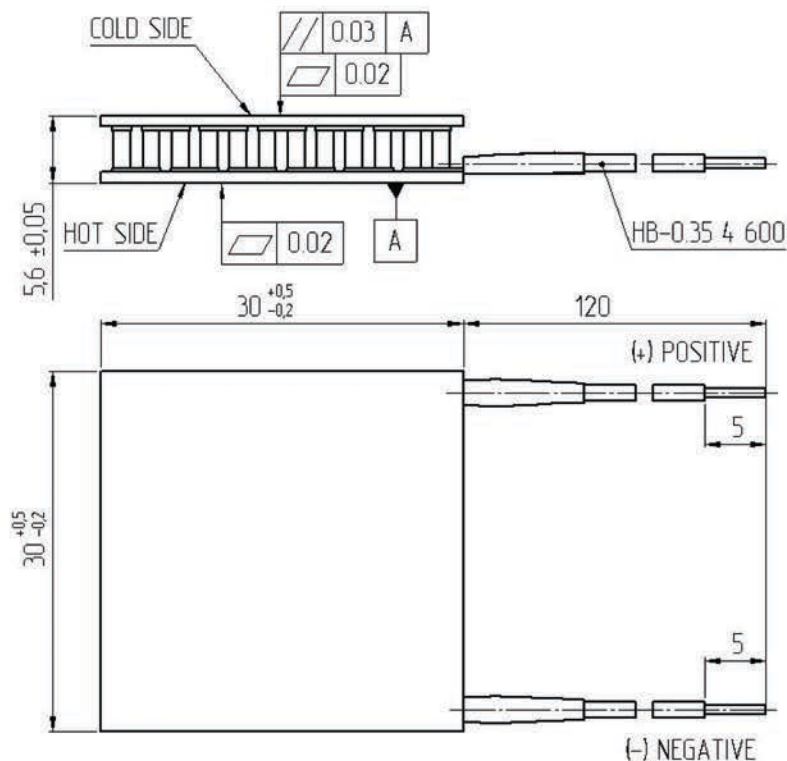
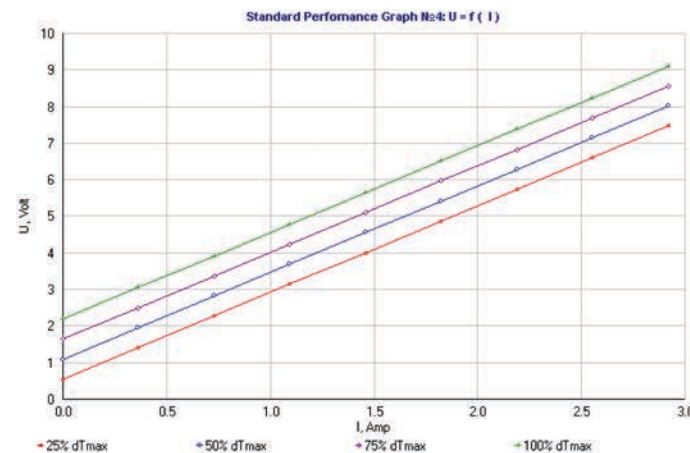


Thermoelectrical parameters	Unit	Value
I_{max}	Amps	2.9
U_{max}	Volts	9.1
ΔT_{max}	K	72
Q_{max}	Watts	16.5
R_{ac} (at 295 K)	Ohm	2.35
Tolerance	%	±10

All parameters except R_{ac} are given at Th=300 K



Assembly parameters	Unit	Value
Wires	HB-0.35 4 600	
Cross section	mm ²	0.35
Metallization	Not	
Sealing	Not	
Internal solder	°C	139
Brazing solder	°C	not



Operational parameters	Unit	Value
Working temperature range	°C	-50 ÷ +80
Max. processing temperature	°C	130
ROHS compliance		YES