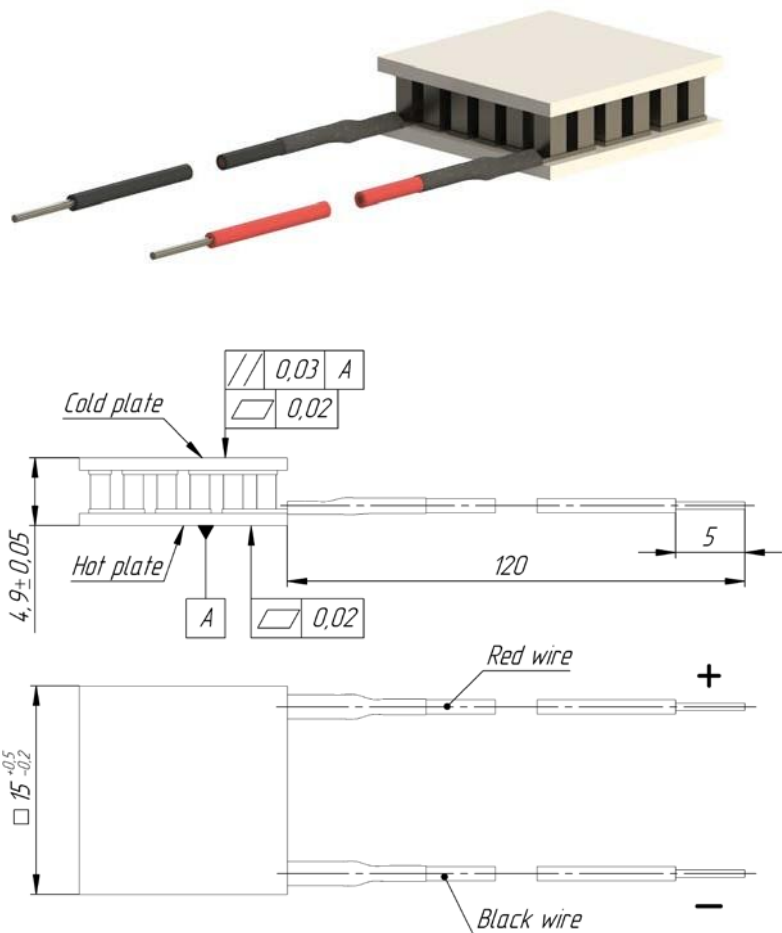


SPECIFICATION OF THERMOELECTRIC MODULE TB-17-1.4-2.5



Thermoelectric parameters	Unit	Value
I_{max}	A	3.7
U_{max}	V	2.2
ΔT_{max} ≥	K	72
Q_{max} ≥	W	5
R_{ac} (at 295 K)	Ohm	0.45
Tolerance R_{ac}	%	±10
<i>All parameters except R_{ac} are given at Th=300 K</i>		

Assembly parameters	Unit	Value
Wires	HB-0.2 4 600	
Cross section	mm ²	0.2
Metallization	-	
Sealing	-	
Internal solder	°C	139

Operational parameters	Unit	Value
Working temperature range	°C	-50 ÷ +80
Max. processing temperature	°C	130
ROHS compliance	Yes	

