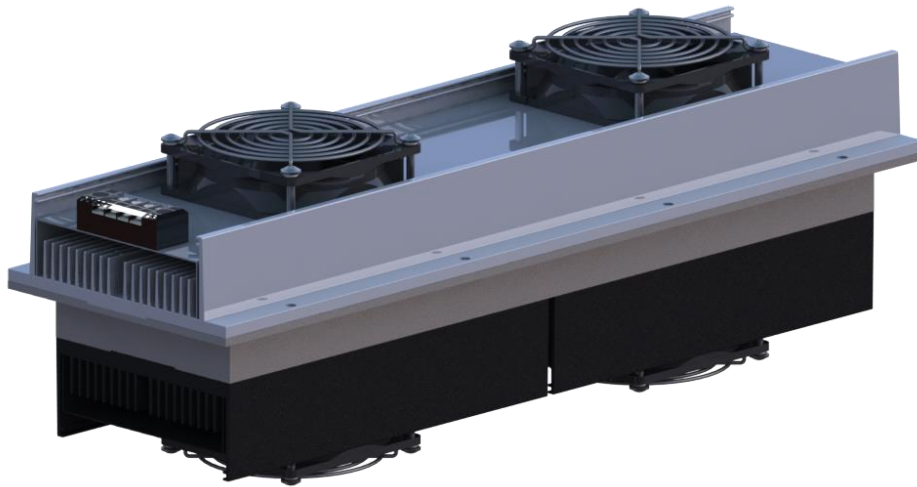


SPECIFICATION OF THERMOELECTRIC COOLING ASSEMBLY 180-24-AA

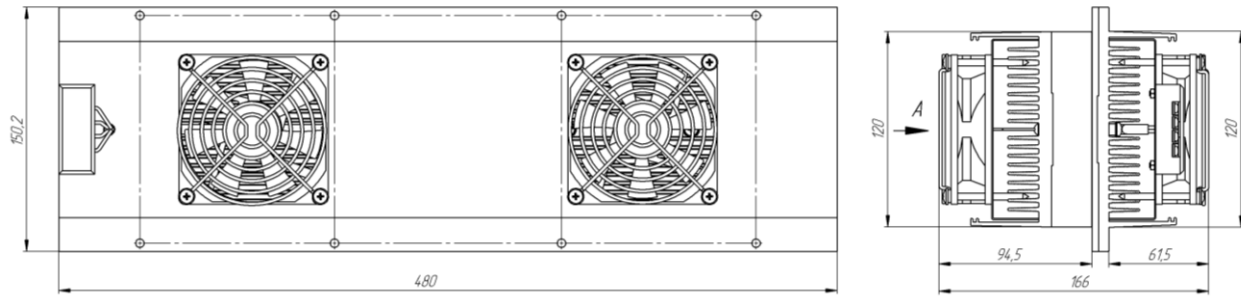


<i>Thermoelectric parameters</i>	<i>Unit</i>	<i>Value</i>
Operating voltage (U)	V	24
Operating current (I)	A	5.8
Operating cooling power (Qc)*	W	110
Tolerance	%	±10

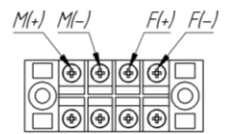
<i>Operational parameters</i>	<i>Unit</i>	<i>Value</i>
Working temperature range	°C	-30 ÷ +70
Weight	kg	6.55

<i>Parameters of fans</i>		<i>Unit</i>	<i>Value</i>
Fan quantity	Hot side	-	2
	Cold side	-	2
Electrical parameters		V/A	24/0.25

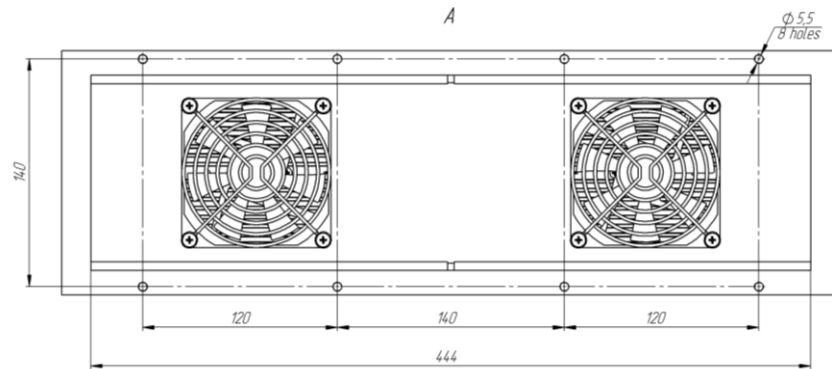
* Operation cooling power corresponds to zero difference temperature between cold radiator and the environment with temperature of 27°C



Terminal block connection

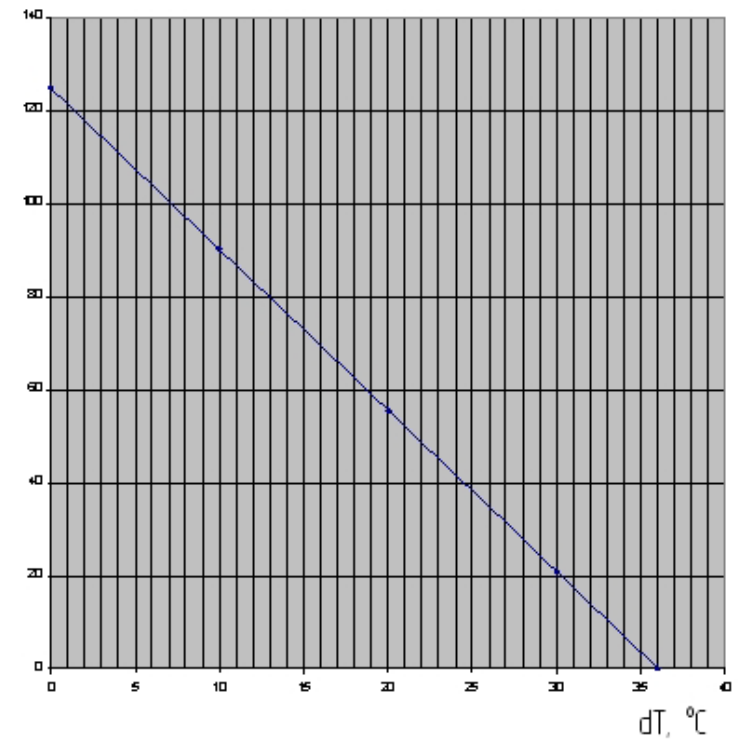


F - fan
M - thermoelectric module



Load curve

Qc, Watts



ECOGEN

CUSTOMER