

SPECIFICATION OF THERMOELECTRIC COOLING ASSEMBLY 120-24-AA



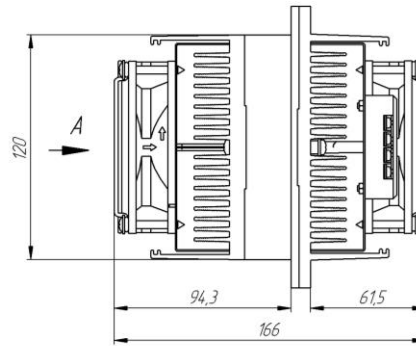
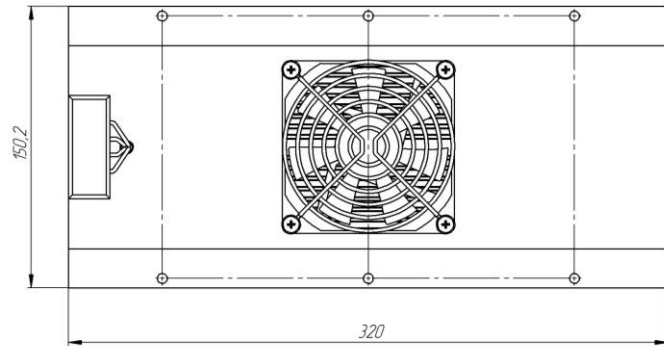
<i>Thermoelectric parameters</i>	<i>Unit</i>	<i>Value</i>
Operating voltage (U)	V	24
Operating current (I)	A	5.3
Operating cooling power (Qc)*	W	61
Tolerance	%	±10

<i>Operational parameters</i>	<i>Unit</i>	<i>Value</i>
Working temperature range	°C	-30 ÷ +70
Weight	kg	4.5

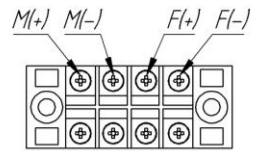
<i>Parameters of fans</i>		<i>Unit</i>	<i>Value</i>
Fan quantity	Hot side	-	1
	Cold side	-	1
Electrical parameters		V/A	24/0.25

* Operation cooling power corresponds to zero difference temperature between cold radiator and the environment with temperature of 27°C

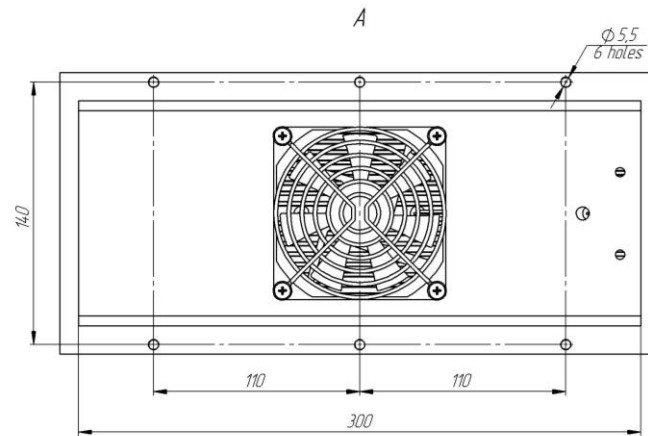
Load curve



Terminal block connection



*F - fan
M - thermoelectric module*



Qc, Watts

